

Intellian® i2

Compact and Smart Marine Satellite TV Antenna System



HDTV
COMPATIBLE

A firm hold on the signal

Dynamic Beam Tilting (DBT) uses a high performance, constantly adjusting sub-reflector which allows the antenna to remain relatively still, eliminating the constant whine of stepper motors while providing clear reception while the boat is in motion.

Faster signal acquisition

Intellian's exclusive Wide Range Search (WRS) algorithm allows antenna to search, find and lock on to a signal with incredible speed and accuracy.

Compact size

33cm antenna reflector diameter with an antenna weighs less than 4.5kg.

Simple & Easy installation

With just a single cable to connect the antenna and the ACU, Intellian i2 systems are quick and easy to install. Our advanced ACU is designed to require a minimum of set-up so you can begin to enjoy TV programs aboard your boat in no time.

Performance & Value

All these benefits are yours to enjoy without having to worry about a hefty price tag. Our goal is to provide an affordable, high value system so you can enjoy big- ticket broadcast entertainment and not have to worry about the price of admission.

Intellian
Connect with the best

Intellian® i2

Compact and Smart Marine Satellite TV Antenna System

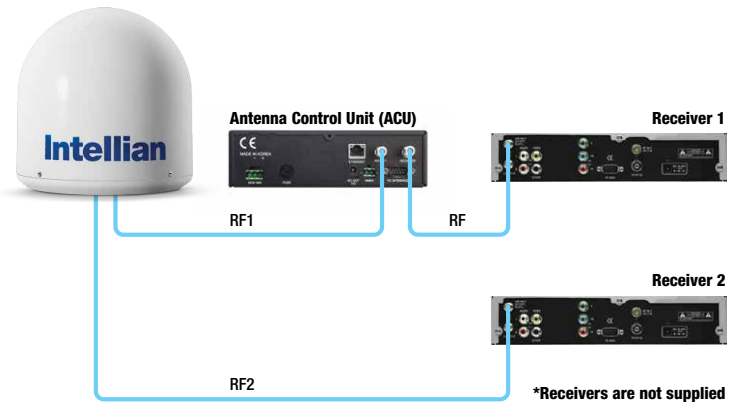
Technical Specifications

| Physical | |
|----------------------------|--|
| Radome Height | 38cm / 15" |
| Radome Diameter | 37cm / 14.6" |
| Reflector Diameter | 33cm / 13" |
| Weight | 4.5kg / 9.5lbs |
| Environmental | |
| Operating Temp. Range | -25°C to +55°C / -13°F to +131°F |
| Storage Temp. Range | -40°C to +80°C / -40°F to +176°F |
| Water Ingress | IPX6 |
| Approvals | CE/FCC |
| Warranty | 3 year parts and 1 year labor |
| Performance | |
| Reception Frequency | Ku-band (10.7~12.75GHz) |
| Polarization | Vertical / Horizontal |
| Minimum EIRP | 51dBW |
| Azimuth Range | 680° |
| Elevation Range | 10° to 80° |
| Ship's Motion | Roll ±25°, Pitch ±15° |
| Roll & Pitch Response Rate | 60° / sec |
| Turning Rate | 60° / sec |
| RF Output | Dual Output |
| Antenna Control Unit | |
| Dimensions (WxDxH) | 17.8cm x 21.7cm x 5.4cm / 7" x 8.5" x 2.1" |
| Weight | 1.2kg / 2.6lbs |
| Display | 2 line 20 character VFD module |
| GPS Interface | Built-in (NMEA 0183 GPS) |
| Power Requirement | 9.0~30.0V DC |
| Power Consumption | Typ. 30W, Max. 50W |

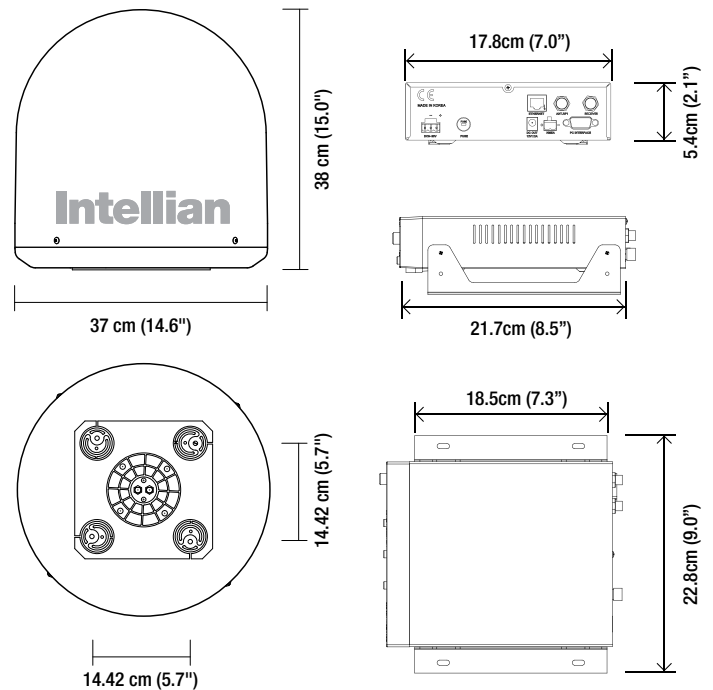
Key Features

- Travel further north or south with extended elevation range 10° to 80°
- Stay locked on in rough seas, 60° per second turning rate
- Compatible with global satellite TV service providers
- Smaller size with bigger performance
- Simplicity of design, no fragile compass and no rate sensor
- Switch channels as fast as you do at home
- DVB-S2 Signal Identification

System Diagram



System Dimension



Global HQ
Innovation Center / Factory
Intellian Technologies, Inc
T +82 31 379 1000
F +82 31 377 6185

APAC
Seoul Office
Intellian Technologies, Inc.
T +82 2 511 2244
F +82 2 511 2235

Americas
Irvine Office
Intellian Technologies USA, Inc.
T +1 949 727 4498
F +1 949 271 4183
Toll Free +1 888-201-9223

EMEA
Rotterdam Office
Intellian B.V.
T +31 1 0820 8655
F +31 1 0820 8656