

Model SB 3 U

VHF Marine Antenna 156-163 MHz

Installation Manual

DESCRIPTION

$3/4 \lambda$ marine antenna working on 156-163 MHz without Ground Plane. It is particularly protected against the worst sea climates. The conic glass fibre tube makes it strong so to get a full assurance. The radial whip is earthed in order to avoid stray R.F. currents and their discharges. It is supplied with a stainless steel bracket for an easy fitting on the top of the mast. In the mentioned range of frequencies adjustments are not required.

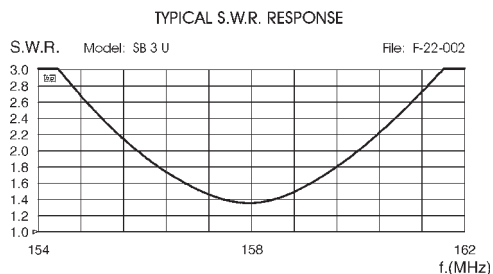
SPECIFICATIONS

Electrical Data

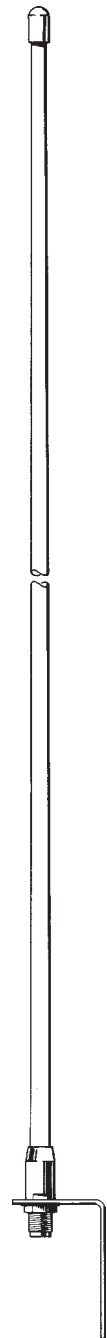
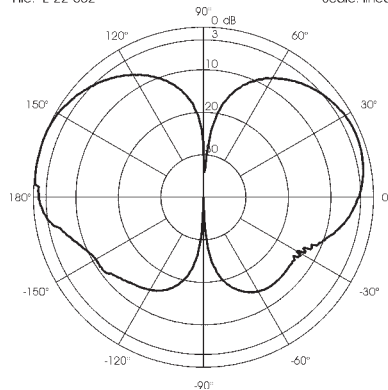
Type	:	$3/4 \lambda$ J-pole Marine Antenna
Frequency Range	:	156-163 MHz
Impedance	:	50 Ω Unbalanced
Radiation (H-plane)	:	360° Omnidirectional
Radiation (E-plane)	:	Beamwidth at -3 dB = 39°
Radiation angle deg.	:	21°
Polarization	:	Vertical
Gain	:	2 dBd - 4.15 dBi
Bandwidth at V.S.W.R. 2:1	:	5.5 MHz at 158 MHz
V.S.W.R. at f. res.	:	$\leq 1.4:1$
Max Power	:	100 Watts
Feed System / Position	:	1/4 Parallel Line Stub / Base
Connection	:	UHF SO 239

Mechanical Data

Materials	:	Chromed Brass, Nylon, Glass fibre
Height (approx.)	:	1465 mm
Weight (approx.)	:	300 gr



TYPICAL RADIATION PATTERN in E-plane at 158 MHz
File: E-22-002 Scale: linear



Model **SB 3 S/...**

VHF Marine Antenna 156-163 MHz

Installation Manual

DESCRIPTION

3/4 λ marine antenna working on 156-163 MHz without Ground Plane particularly protected against the worst sea climates. The conic fibre glass tube makes it strong and solid in every situation. The radial whip is earthed and it is supplied with a stainless steel bracket for a quick installation on the top of the mast. It is provided with 5 or 18 m white cable RG 58 already connected. In the mentioned range of frequencies adjustments are not required.

SPECIFICATIONS

Electrical Data

Type	:	3/4 λ J-pole Marine Antenna
Frequency Range	:	156-163 MHz
Impedance	:	50 Ω Unbalanced
Radiation (H-plane)	:	360° Omnidirectional
Radiation (E-plane)	:	Beamwidth at -3 dB = 39°
Radiation angle deg.	:	21°
Polarization	:	Vertical
Gain	:	2 dBd - 4.15 dBi
Bandwidth at V.S.W.R. 2:1	:	5.5 MHz at 158 MHz
V.S.W.R. at f. res.	:	\leq 1.4:1
Max Power	:	100 Watts
Feed System / Position	:	1/4 λ Parallel Line Stub / Base

Mechanical Data

Materials	:	Chromed Brass, Glass fibre, Copper
Height (approx.)	:	1465 mm
Weight (approx.)	:	485 gr

