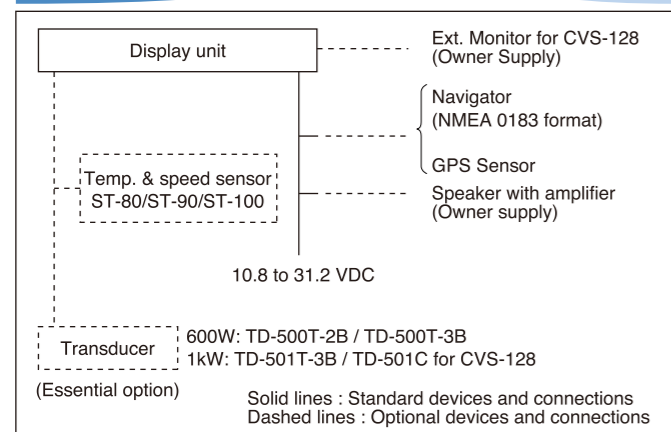


## SPECIFICATIONS

|                                  |                                                                                                                                                                                                                                                                                                                  |                                                                                                       |
|----------------------------------|------------------------------------------------------------------------------------------------------------------------------------------------------------------------------------------------------------------------------------------------------------------------------------------------------------------|-------------------------------------------------------------------------------------------------------|
| Model                            | CVS-126                                                                                                                                                                                                                                                                                                          | CVS-128                                                                                               |
| Output power (RMS)               | 600 W                                                                                                                                                                                                                                                                                                            | 600W or 1kW                                                                                           |
| Output frequency                 | 50 kHz and 200 kHz                                                                                                                                                                                                                                                                                               |                                                                                                       |
| Output method                    | Single or Alternate                                                                                                                                                                                                                                                                                              |                                                                                                       |
| Display size and type            | 5.7 inch color TFT LCD                                                                                                                                                                                                                                                                                           | 8.4 inch color TFT LCD                                                                                |
| Display resolution               | 320 x 240 pixels (QVGA)                                                                                                                                                                                                                                                                                          | 640 x 480 pixels (VGA)                                                                                |
| Basic range                      | 2.5 to 800 (m), 10 to 2800 (ft),<br>2.5 to 600 (fm / l. fm)<br>(8 ranges can be set to users choice)                                                                                                                                                                                                             | 2.5 to 1200 (m), 10 to 3600 (ft),<br>2.5 to 700 (fm / l. fm)<br>(8 ranges can be set to users choice) |
| Zoom range                       | 2.5 to 200 (m), 10 to 650 (ft), 2.5 to 150 (fm / l. fm)                                                                                                                                                                                                                                                          |                                                                                                       |
| Range unit                       | m, ft, fm, l. fm                                                                                                                                                                                                                                                                                                 |                                                                                                       |
| Shift step                       | 1m, 10m, 1/8, 1/4                                                                                                                                                                                                                                                                                                |                                                                                                       |
| Presentation modes               | High frequency, Low frequency, Dual frequency, Zoom image (Bottom lock, Bottom discrimination, Bottom zoom, Zoom, Bottom follow zoom), Nav mode, Left and right divided A-scope can be displayed at all above modes                                                                                              |                                                                                                       |
| Presentation colors              | 64 colors, 16 colors, 8 colors, Monochrome                                                                                                                                                                                                                                                                       |                                                                                                       |
| Back ground color                | Blue, Dark blue, Black, White, Nighttime color, Other 5 colors                                                                                                                                                                                                                                                   |                                                                                                       |
| Alarms                           | Bottom, Fish, Temperature *, Speed**, Arrival***, XTE ***                                                                                                                                                                                                                                                        |                                                                                                       |
| Image speed                      | 9 steps & stop                                                                                                                                                                                                                                                                                                   |                                                                                                       |
| Functions                        | Interference rejection, Color rejection, VRM, Noise rejection, White line, Draft correct, Water temperature correct, Boat speed correct, Store image (10 images), Sona-Tone™, Fishing Hot Spot, Event memory, Simple plotter, Panel illumination, Power reduction, Fish information, Detection area display etc. |                                                                                                       |
| Auto functions                   | Range, Shift, Gain                                                                                                                                                                                                                                                                                               |                                                                                                       |
| Language                         | Chinese, English, French, Greek, Italian, Japanese, Korean, Spanish, Thai                                                                                                                                                                                                                                        |                                                                                                       |
| Input data format and sentences  | NMEA0183 Ver.1.5 / 2.0 / 3.0<br>GGA, GLL, HDT, MTW, MWV, RMC, VHW, VTG, ZDA                                                                                                                                                                                                                                      |                                                                                                       |
| Output data format and sentences | NMEA0183 Ver.2.0 (DBT: Ver.1.5)<br>DBT, DPT, GGA, GLL, HDT, MTW, MWV, RMC, TLL, VHW, VTG, ZDA                                                                                                                                                                                                                    |                                                                                                       |
| NMEA input/output port(s)        | 1                                                                                                                                                                                                                                                                                                                |                                                                                                       |
| Power supply                     | 10.8 to 31.2 V DC                                                                                                                                                                                                                                                                                                |                                                                                                       |
| Power consumption                | 10 W or less (12V DC)                                                                                                                                                                                                                                                                                            | 25 W or less (12V DC)                                                                                 |
| <b>Environmental</b>             |                                                                                                                                                                                                                                                                                                                  |                                                                                                       |
| Operating temperature            | -15°C to +55°C                                                                                                                                                                                                                                                                                                   |                                                                                                       |
| Water protection                 | IPX5                                                                                                                                                                                                                                                                                                             |                                                                                                       |

\* Requires data from Temp sensor  
\*\* Requires speed data from Speed sensor or GPS sensor  
\*\*\* Requires data from GPS sensor

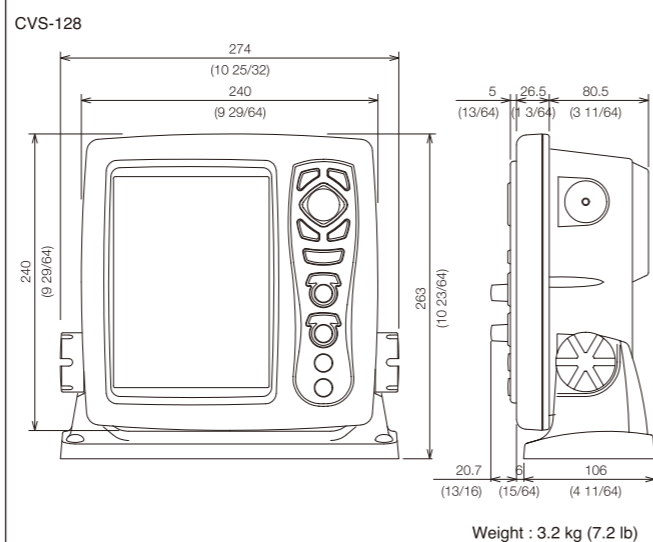
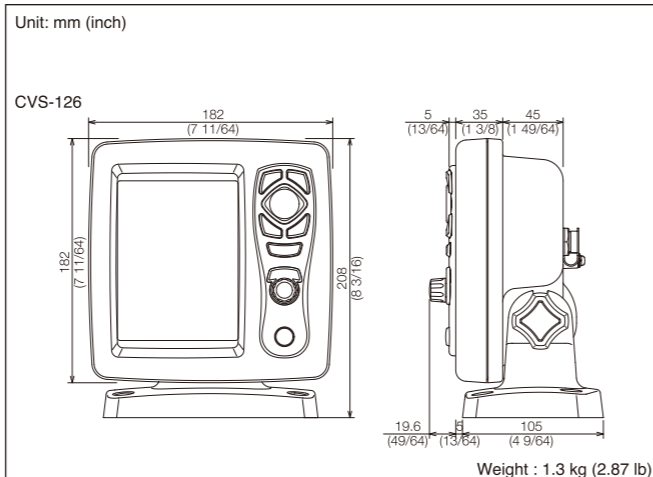
## CONNECTIONS



## EQUIPMENT LIST

|                    |                                                                                          |       |
|--------------------|------------------------------------------------------------------------------------------|-------|
| Standard equipment | Display unit with hard cover, Mounting bracket                                           | 1 set |
|                    | DC power cable, Spare parts, Operation manual, Quick reference                           | 1 set |
| Essential option   | Transducer                                                                               |       |
| Options            | Temp. & speed sensor, Connection cables for external devices, Inner-hull kit, GPS Sensor |       |

## DIMENSIONS AND WEIGHT



• Design and specifications are subject to change without notice.

**KODEN** Koden Electronics Co., Ltd.

Tamagawa Office:  
2-13-24 Tamagawa, Ota-ku, Tokyo, 146-0095 Japan  
Tel: +81-3-3756-6501 Fax: +81-3-3756-6509  
Uenohara Office:  
5278 Uenohara, Uenohara-shi, Yamanashi, 409-0112 Japan  
Tel: +81-554-20-5860 Fax: +81-554-20-5875

overseas@koden-electronics.co.jp

www.koden-electronics.co.jp



**Safety precaution**

To ensure proper and safe use of the equipment, please carefully read and follow the instructions in the Operation Manual.

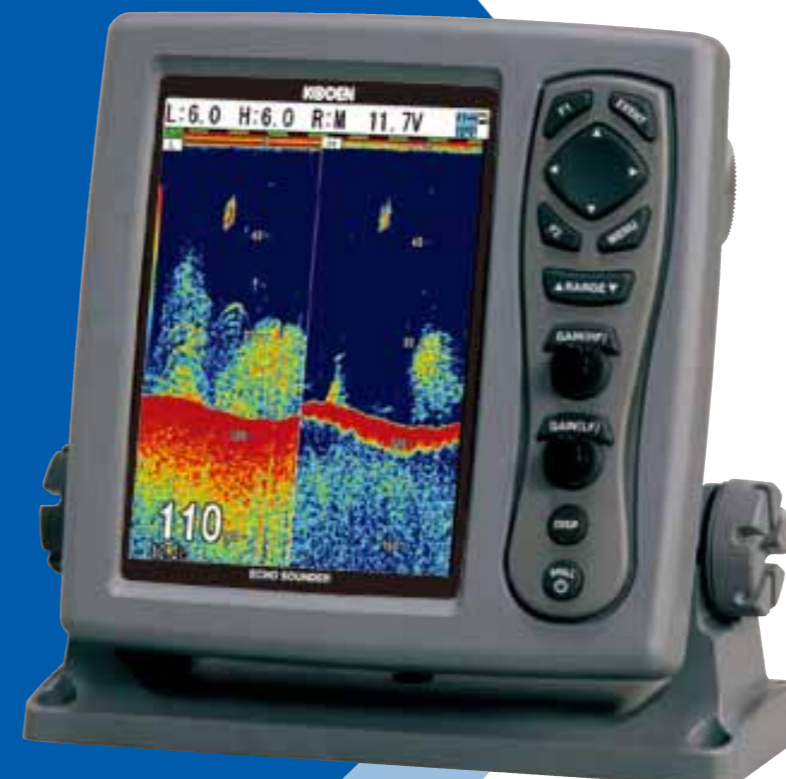
For details, please contact:

**DIGITAL** 5.7 / 8.4 inch Color LCD Echo Sounder **KODEN**

# CVS-126 / 128

## Digital Brings Big Catch

### CVS-126



### CVS-128

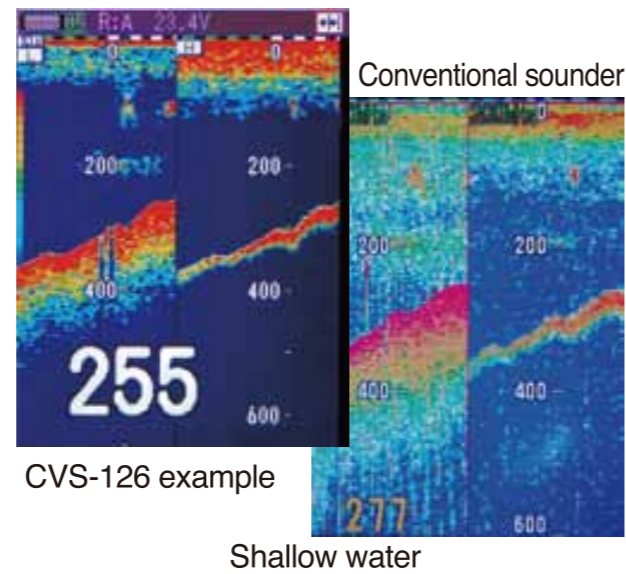
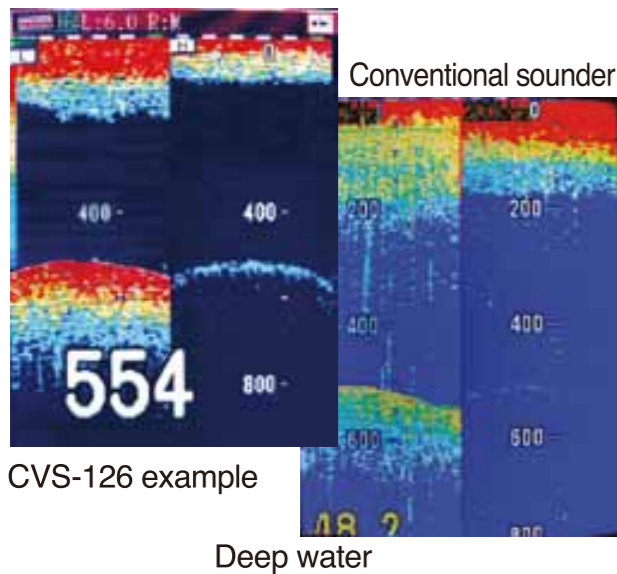
# CVS-126/128 Digital Echo Sounder, the Clear Choice

CVS-126 : 5.7-inch color LCD, 600W, 50/200kHz  
 CVS-128 : 8.4-inch color LCD, 600W/1kW, 50/200kHz



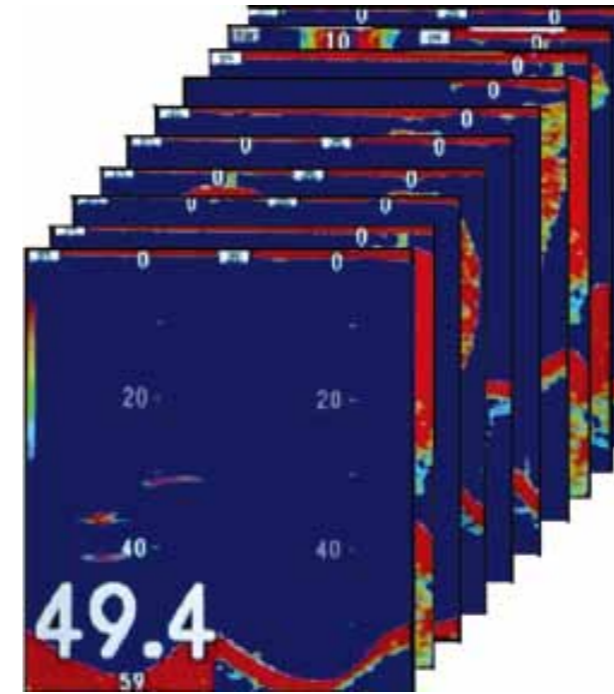
## Digital

- ▶ Koden Digital Filtering (KDF™) technology provides a clearer image and deeper sounding at higher frequencies.
- ▶ Superior clutter suppression and signal to noise ratio, faster update rate for increased performance in shallow water.



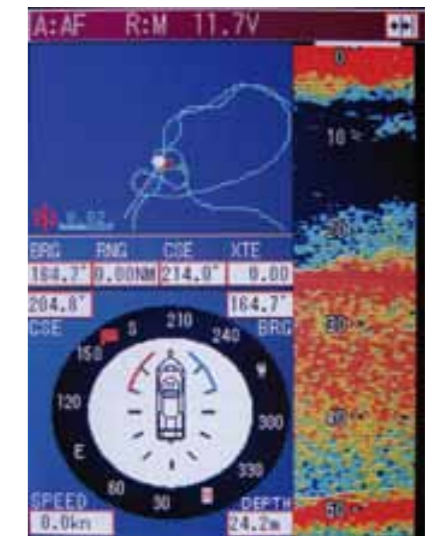
## Store Image

- ▶ Stores up to 10 screen images in built-in memory for recall later by a single touch.

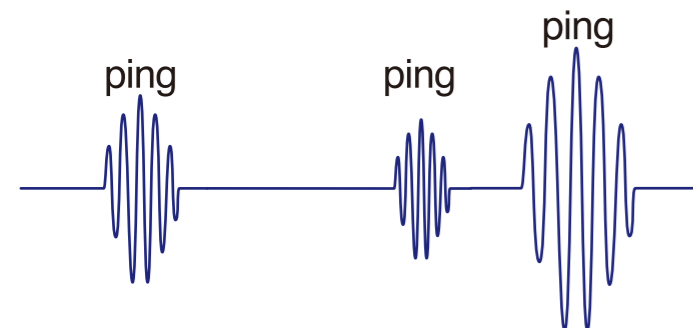


## Fishing Hot Spot

- ▶ Follow our easy to understand navigational display back to your favorite fishing spots or other previously saved positions in memory. Optional GPS input required.



## Sona-Tone™



- ▶ Exclusive Sona-Tone™ identifies what's under your boat with different sounds for fish and schools of fish.



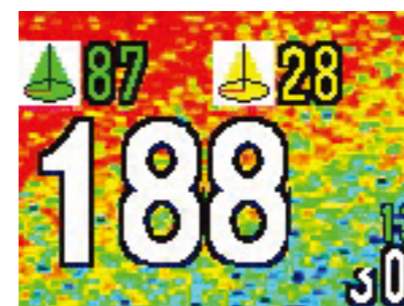
## Easy Operation

- ▶ Simply arranged keypad, knob and comprehensive on-screen menus give easy access to all system functions.

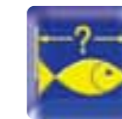


## Detection area display

- ▶ Know exactly the bottom area covered by the low and high frequency sound beams. This can help you target the fish directly under the boat or off to the side.

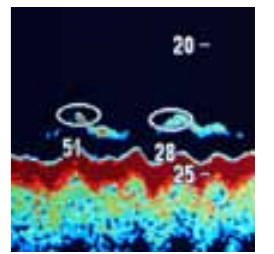


\*The beam angle varies depending on the transducer frequency and may vary depending on the installation method of the transducer. The displayed data should be used for reference only



## Fish Information

- ▶ Approximate size of a single fish detected in depth between 3m and 100m is indicated in cm when used with a Koden recommended transducer.



\* Indication would not be always the response from a single fish and may be in error due to various environmental conditions. Fish information data should be used for reference only.  
 \* Recommended transducers are TD-500T-2B or TD-500T-3B for CVS-126 and TD-501C for CVS-128.



## Auto Function

- ▶ Takes the guesswork out of operating the sounder. Even a novice user can achieve professional results by letting the CVS-126/128 pick the optimum settings for such functions as Gain, Range and Shift.