



AIS 600 Instructions

Use these instructions to program and install the Garmin® AIS 600 marine Automatic Identification System (AIS) Class B transponder device. Compare the contents of this package with the packing list on the box. If any pieces are missing, contact your Garmin dealer immediately.

WARNING

When navigating, carefully compare information provided by the unit to all available navigation sources, including information from visual sightings, local waterway rules and restrictions, and maps. For safety, always resolve any discrepancies or questions before continuing navigation.

Use this unit only as a navigational aid. Do not attempt to use the unit for any purpose requiring precise measurement of direction, distance, location, or topography.

This product, its packaging, and its components contain chemicals known to the State of California to cause cancer, birth defects, or reproductive harm. This Notice is provided in accordance with California's Proposition 65. See www.garmin.com/prop65 for more information.

CAUTION

Wear safety goggles and a dust mask when drilling, cutting, or sanding.

NOTICE

To prevent possible damage to your equipment, the VHF antenna must be connected to the AIS 600 before transmitting. This ensures that the power output to the antenna port dissipates properly when transmitting.

Electromagnetic Energy Exposure and Antenna Mounting

The AIS 600 generates and radiates radio frequency (RF) electromagnetic energy (EME). Failure to observe these guidelines may expose persons to RF radiation absorption exceeding the maximum permissible exposure (MPE).

Garmin declares an MPE radius of 59 in. (1.5 m.) for this system, which was determined using 2 watts output to an omni-directional 9 dBi gain antenna. The antenna should be installed such that a distance of 59 in. (1.5 m) is maintained between the antenna and all persons.

When sharing the VHF antenna with a VHF radio, refer to the documentation provided with the radio for additional MPE information specific to the installed VHF radio.

WARNING:

Radio operators with cardiac pacemakers, life-support machines, or electrical medical equipment should not be exposed to excessive radio-frequency fields.

Operate the device in accordance with the instructions supplied.

NOTICE

The device complies with internationally recognized standards covering human exposure to electromagnetic fields from radio devices.

Check with the local authorities for any antenna or operational restrictions that may apply.

Safe Compass Distance

Ensure that you install the AIS 600 transceiver box at least 15 ³/₄ in. (40 cm) from any compass. Test your compass to verify that it operates correctly when the device is operating.

Licensing Requirements

In many countries, the operation of an AIS device is included in the VHF license provisions. Therefore, the vessel on which the AIS 600 is installed must possess a current VHF license that lists the AIS system, the vessel call sign, and the vessel Maritime Mobile Service Identity (MMSI) number. Contact the relevant authority in your country to ensure that your VHF license covers the AIS 600 device.

Programming the AIS 600

Before the AIS 600 can be used on a boat, it must be programmed with a unique MMSI number and with additional vessel-specific static data. The MMSI number must be programmed by an authorized marine-electronics dealer or installer. Use the AIS 600 Setup Software on the included CD-ROM to program the AIS 600.

NOTICE

In the USA, it is prohibited under FCC regulations to enter incorrect or improper data, and it is prohibited for any person other than the manufacturer or the installing dealer to input MMSI data.

It is a violation of the rules of the Federal Communications Commission to input an MMSI that has not been properly assigned to the user, or to otherwise input any inaccurate data in this device.

Preparing the AIS 600 and the PC for Programming

PC Requirements

Microsoft® Windows® 2000 or newer; minimum 32 MB of RAM; minimum 10 MB of free hard-drive space.

Installing the AIS 600 Setup Software:

1. Insert the CD-ROM provided with the AIS 600 into your computer. The Installation Wizard for the AIS 600 Setup Software runs automatically.
NOTE: To run the AIS 600 programming Setup Software installer manually, run the **Setup.exe** file on the CD-ROM.
2. Follow the on-screen instructions to install the AIS 600 Setup Software on your computer.

Connecting the AIS 600 to a PC for programming:

1. Connect the AIS 600 transceiver box to a 12 or 24 Vdc power source using the power/data cable (see [page 5](#)).
NOTE: To ensure that the AIS 600 device powers on for programming, connect the red wire from the power/data cable to the positive (+) terminal of the 12 or 24 Vdc power source, and connect both the black wire and the yellow wire from the power/data cable to the negative (-) terminal of the 12 or 24 Vdc power source.
2. Use the included mini USB cable to connect the USB port on the AIS 600 transceiver box to a USB port on your computer. The Windows Found New Hardware Wizard runs automatically.
3. Follow the on-screen instructions to complete the Found New Hardware Wizard.
NOTE: If the Found New Hardware Wizard does not successfully install the driver, open the **Driver** folder on the CD-ROM and run **CDM20600.exe** to install the AIS 600 driver on your computer.

Assigning Data to the AIS 600

The AIS 600 must be programmed with a valid vessel MMSI number before use. Until a valid MMSI number is programmed, the AIS 600 will operate in silent mode only. When in silent mode, the AIS 600 will not transmit position data, although it can still receive AIS signals. Optionally, the AIS 600 transmits the following static vessel data when assigned:

- Vessel name
- Vessel call sign
- Vessel type
- Vessel dimensions (including the location of the GPS antenna on the boat)

To begin communication with the AIS 600:

1. Ensure that the AIS 600 transceiver box is connected to a 12 or 24 Vdc power source using the power/data cable, and that the AIS 600 is connected to the PC using the included mini USB cable.
2. Launch the AIS 600 Setup Software. An icon was placed on the desktop when you installed the software.
3. Click **Connect** in the **Connection and Status** window.

To assign an MMSI number to the AIS 600:

NOTE: After you save the assigned MMSI number to the AIS 600, the MMSI number cannot be changed.

1. On the Static Data tab of the AIS 600 Setup Software, enter a nine-digit MMSI number in the **MMSI** field.
2. Click **Save data to AIS600**.

To program static vessel data on the AIS 600:

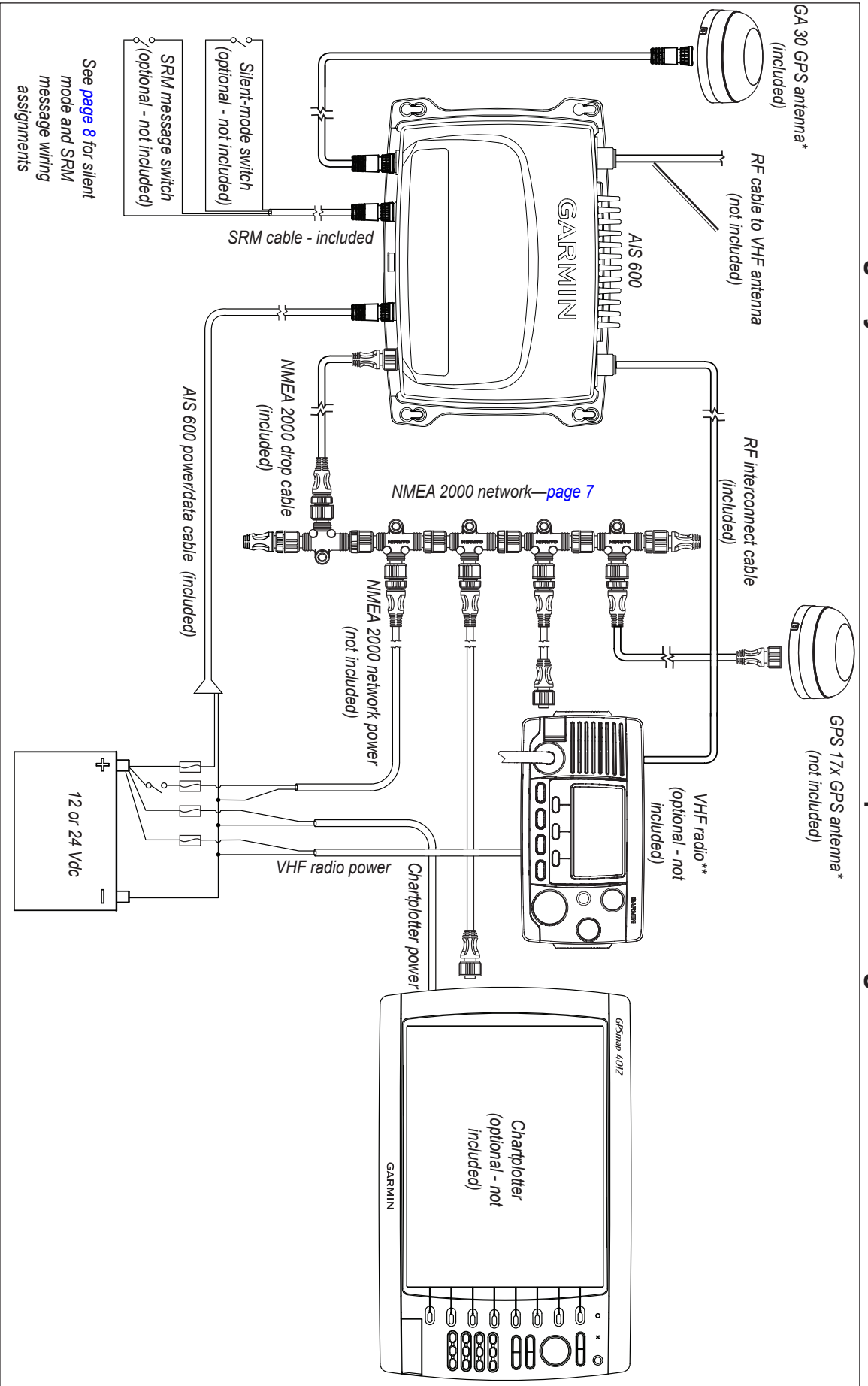
NOTE: Vessel static data, unlike an MMSI number, can be reprogrammed if necessary.

1. On the Static Data tab of the AIS 600 Setup Software, enter the vessel name, the vessel call sign, the type of vessel, and the location of the GPS antenna on the vessel.
2. Click **Save data to AIS600**.

To complete the programming process:

1. From the **File** menu of the AIS 600 Setup Software, select **Exit**.
2. Disconnect the AIS 600 transceiver box from the computer.

AIS 600 Wiring Layout: AIS 600 Connected to a Chartplotter through a NMEA 2000 Network



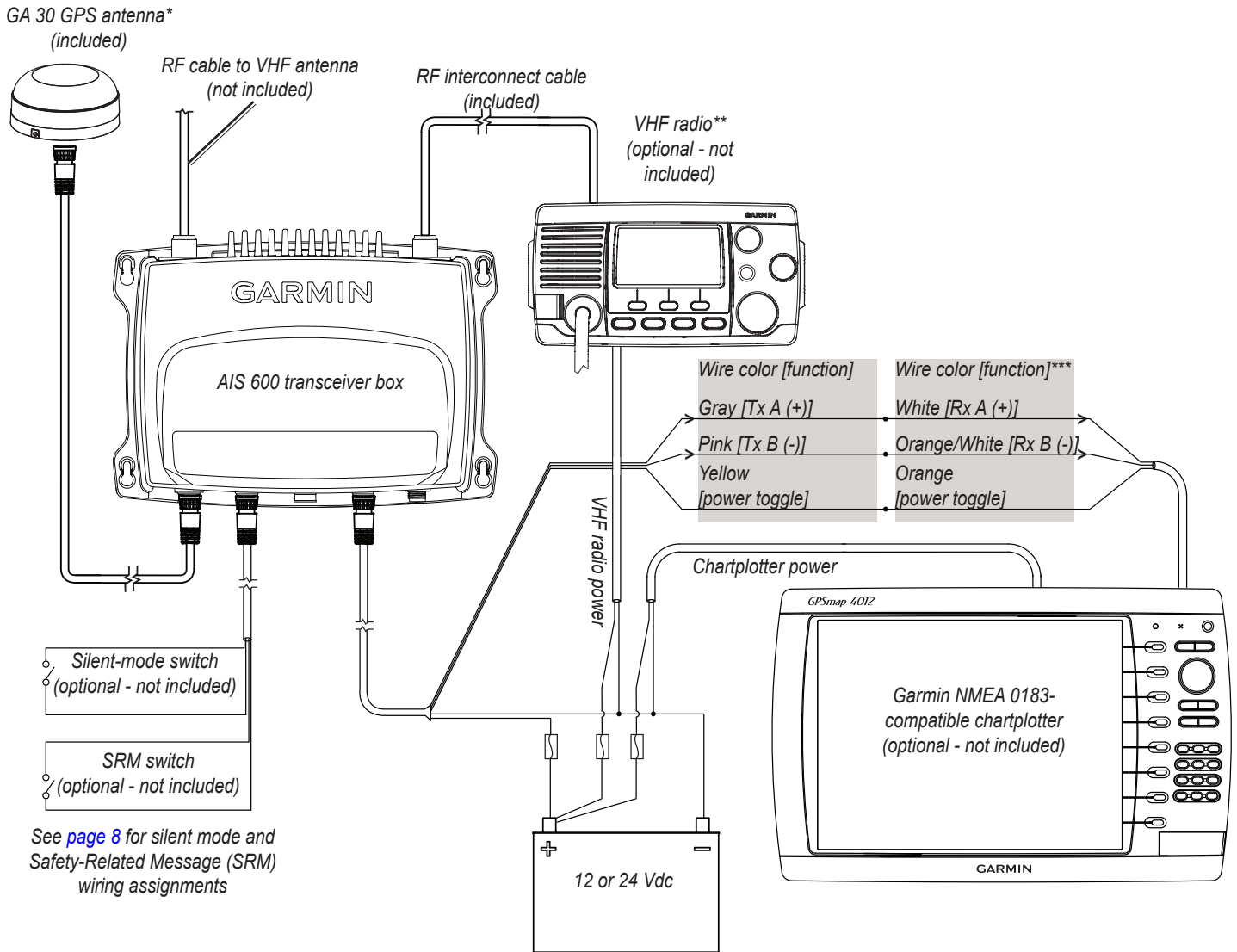
Notes:

* The AIS 600 must be connected to the included GA 30 GPS antenna. The AIS 600 does not share GPS information with any other devices on the boat. If you have a chartplotter on your boat, it must receive GPS information from a separate antenna, such as a GPS 17x.

** The AIS 600 does not need to be installed alongside a VHF radio, but they can share the same VHF antenna if they are both installed on your boat.

See page 8 for silent mode and SRM message wiring assignments

AIS 600 Wiring Layout: AIS 600 Connected to a Garmin Chartplotter through NMEA 0183



Notes:

- * The AIS 600 must be connected to the included GA 30 GPS antenna. The AIS 600 does not share GPS information with any other devices on the boat. If you have a chartplotter on your boat, it must receive GPS information from a separate antenna, such as a GPS 17x.
 - ** The AIS 600 does not need to be installed alongside a VHF radio, but they can share the same VHF antenna if they are both installed on your boat.
 - *** The listed wire colors are for the NMEA 0183 Port 1 input on a Garmin GPSMAP 4000/5000/6000/7000 series chartplotter. Refer to the installation instructions provided with your Garmin chartplotter if you want to wire the AIS 600 to a different model of Garmin chartplotter or to a different NMEA 0183 port on a GPSMAP 4000/5000/6000/7000 series chartplotter.
- If you are connecting the AIS 600 to a non-garmin chartplotter, see [page 8](#) for detailed wiring assignments.

Installing the AIS 600

Use the following instructions to install the AIS 600 device. Details for the following steps are included in this document:

1. Select locations for the AIS components.
2. Mount the AIS 600 transceiver box.
3. Wire the AIS 600 to power.
4. Install and connect the GA 30 GPS antenna ([page 6](#)).
5. Connect the AIS 600 to a VHF antenna and to an optional VHF radio ([page 7](#)).
6. Connect the AIS 600 to a NMEA 2000 network or to a NMEA 0183-compatible chartplotter (optional - [page 7](#)).
7. Add a silent-mode switch or a Safety Related Message (SRM) switch (optional - [page 8](#)).

Selecting Locations for the AIS 600 Components

Use the wiring layout diagrams starting on [page 3](#) to determine how to best organize the AIS 600 components on your boat. Ensure that the cables reach all components before permanently mounting any component.

Mounting the AIS 600 Transceiver Box

Install the AIS 600 transceiver box below deck on a bulkhead. Select a location that is dry and protected from washdown. Ensure that the location is well ventilated and away from objects that generate heat. Ensure that the transceiver box is at least 15 ³/₄ in. (40 cm) from any compass to avoid interference.

Needed Tools

- Drill and drill bits
- Number 2 Phillips screwdriver

To mount the transceiver box:

1. Ensure that the chosen location is dry, protected, and well-ventilated.
2. Use the transceiver box as a template, and use a pencil to mark the holes in the four corners. Do not drill through the transceiver box.
3. Drill four ¹/₈ in. (3 mm) pilot holes.
4. Mount the transceiver box using the included M4.2 × 25 screws. You can also use bolts, washers, and nuts (not included) to mount the transceiver box if the mounting surface is suitable.

Connecting the Transceiver Box to Power

Use the AIS 600 power/data cable to connect the transceiver box to a 12 or 24 Vdc battery.

Device	Wire Color	Function
AIS 600 power/data cable	Red	Power—positive (+)
	Black	Ground—negative (-)

AIS 600 Power Wiring-Assignment Table

Notes:

- Use the AIS 600 Power Wiring-Assignment Table to identify the positive and negative wires.
- The replacement fuse on the power/data wiring harness is a 5 A, fast-acting fuse.
- If it is necessary to extend the power wires, use 16 AWG or larger wire.

Installing the AIS 600 Power Toggle

The AIS 600 can be powered on and off in one of 3 ways:

- If the AIS 600 is connected to a NMEA 2000 network, it will toggle on and off with the NMEA 2000 network.
NOTE: The AIS 600 is not powered by the NMEA 2000 network, although it will turn on when it detects power on the NMEA 2000 network. You must connect the AIS 600 to power, and not just to the NMEA 2000 network.
- If the AIS 600 is wired to a Garmin chartplotter using NMEA 0183, connect the yellow wire from the AIS 600 power/data cable to the Accessory On wire from the chartplotter. The AIS 600 will then toggle on or off with the Garmin chartplotter.

- If the AIS 600 is wired to a non-Garmin NMEA 0183 chartplotter, or not wired to a chartplotter at all, then you must install a toggle switch to turn the device on and off.
 - Connect the yellow wire from the AIS 600 power/data cable to one terminal of a single-pole, single-throw switch (not included), and connect the other terminal to the negative (-) battery terminal.
 - When you close the switch, the AIS 600 powers on. When you open the switch, the AIS 600 powers off.

Installing the GA 30 GPS Antenna

You must install the included GA 30 GPS antenna and connect it to the AIS 600 according to the following instructions. The AIS 600 will not transmit a signal unless the GA 30 is installed properly and receiving a satellite signal.

The AIS 600 does not accept GPS information from any other GPS device or antenna on the boat. Also, the AIS 600 does not share GPS information from the GA 30 antenna with any other device on the boat.

You can surface mount the GA 30 antenna or attach the antenna to a standard 1 in. OD (14 threads per inch) pipe-threaded-pole marine mount (not included).

Select a suitable location for the GA 30 antenna on your boat. To ensure the best reception, mount the GA 30 antenna in a location with a clear view of the sky in all directions.

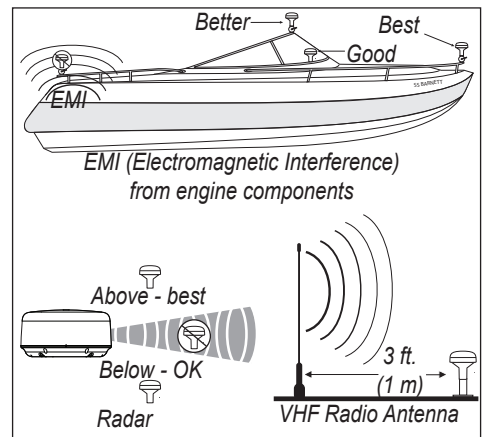
- Avoid mounting the GA 30 antenna in the shade of the superstructure of the boat, a radome antenna, or a mast.
- **Mount the GA 30 antenna at least 3 ft. (1 m) away from (preferably above) the path of any radar beam or a VHF radio antenna.**

Temporarily secure the antenna in the preferred mounting location and test it for correct operation. If you experience interference from other electronics, try a different location. When you verify correct operation, permanently mount the antenna.

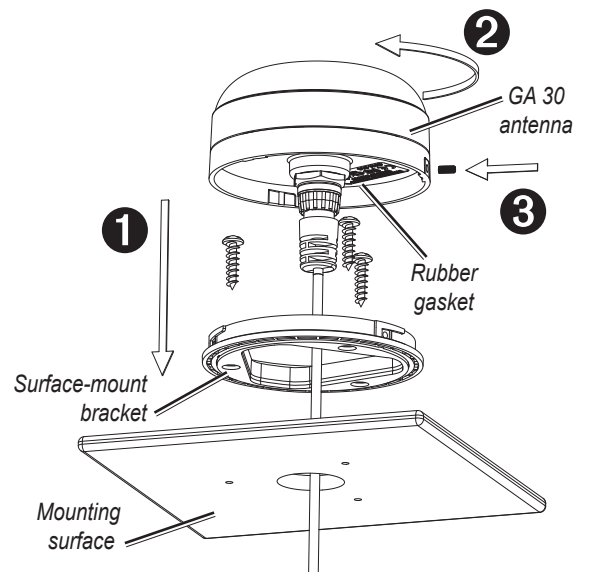
Surface-mounting the GA 30 Antenna

- 1 Use the surface-mount bracket as a mounting template.
 - Use a center punch to mark the three screw locations on the surface.
 - Use a pencil to trace the cable hole in the center of the bracket.
 - Set the surface-mount bracket aside. Do not drill through the surface-mount bracket.
- 2 Drill $\frac{1}{8}$ in. (3 mm) pilot holes at the three marked locations.

NOTE: If you are mounting the GA 30 on fiberglass, it is recommended that you use a countersink bit to drill a clearance counterbore through the top gelcoat layer (but no deeper). This will help to prevent cracking in the gelcoat layer when the screws are tightened.
- 3 Use a 1 in. (25 mm) hole saw to cut the cable hole in the center.
- 4 Place the seal pad on the bottom of the surface-mount bracket. Ensure that the screw holes align.
- 5 Use the included M4 screws to attach the surface-mount bracket to the mounting surface.
- 6 Route the cable through the 1 in. (25 mm) cable hole and connect it to the GA 30.
- 7 Ensure that the large rubber gasket is in place on the bottom of the GA 30 antenna, place the antenna on the surface-mount bracket **1**, and twist the antenna clockwise to lock it in place **2**.
- 8 Secure the antenna to the mounting bracket with the included M3 set screw **3**.
- 9 Route the cable away from sources of electronic interference, and connect it to the AIS 600 using the BNC connector.



GA 30 Antenna Placement Considerations

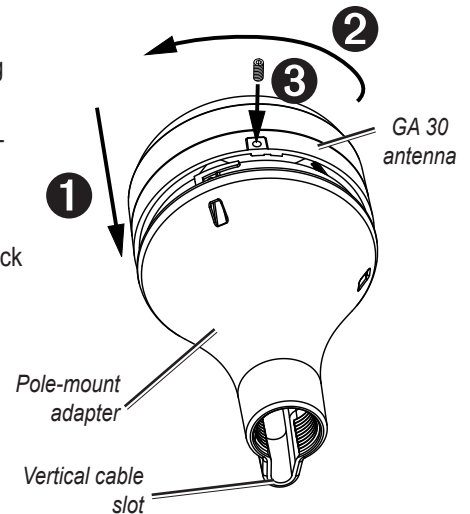


Pole-mounting the GA 30 Antenna

With the pole-mount adapter attached to the GA 30 antenna, you can install the antenna on a standard 1 in. OD (14 threads per inch) pipe-threaded-pole marine mount (not included). You can run the cable through the pole or outside the pole.

To mount the GA 30 with the cable run outside the pole:

1. Route the cable through the pole-mount adapter, and place the cable in the vertical slot along the base of the pole-mount adapter.
2. Thread the pole-mount adapter onto a standard 1 in. OD (14 threads per inch) pipe-threaded-pole marine mount (not included). Do not over-tighten the adapter.
3. Connect the cable to the GA 30 antenna.
4. Place the GA 30 antenna on the pole-mount adapter **1** and twist the antenna clockwise to lock it in place **2**.
5. Secure the antenna to the adapter with the included M3 set screw **3**.
6. (Optional) With the GA 30 installed on the pole mount, fill the remaining gap in the vertical cable slot with a marine sealant.
7. Attach the marine pole mount to the boat if it is not already attached.
8. Route the cable away from sources of electronic interference, and connect it to the AIS 600 using the BNC connector.



To mount the GA 30 with the cable run through the pole:

1. Position a standard 1 in. OD (14 threads per inch) pipe-threaded-pole marine mount (not included) in the preferred location, and mark the approximate center of the pole.
2. Drill a $\frac{3}{4}$ in. (19 mm) hole for the cable to pass through.
3. Fasten the pole marine mount to the boat.
4. Thread the pole-mount adapter onto the pole. Do not over-tighten the adapter.
5. Route the cable through the pole and connect it to the GA 30 antenna.
6. Place the GA 30 antenna on the pole-mount adapter **1** and twist the antenna clockwise to lock it in place **2**.
7. Secure the antenna to the adapter with the included M3 set screw **3**.
8. (Optional) With the GA 30 installed on the pole mount, fill the vertical cable slot with a marine sealant.
9. Route the cable away from sources of electronic interference, and connect it to the AIS 600 using the BNC connector.

Connecting a VHF Antenna to the AIS 600

To transmit and receive AIS information, the AIS 600 must be connected to a VHF antenna (not included).

Connect a marine VHF antenna to the AIS 600 using the antenna port on the rear panel of the device. If you have a VHF radio on your boat, connect the VHF antenna to the AIS 600, and connect the VHF radio to the AIS 600 using the RF interconnect cable according to the wiring layout diagrams starting on [page 3](#). Mount the antenna according to the installation instructions provided with the antenna.

Connecting the AIS 600 to a NMEA 2000 Network (Optional)

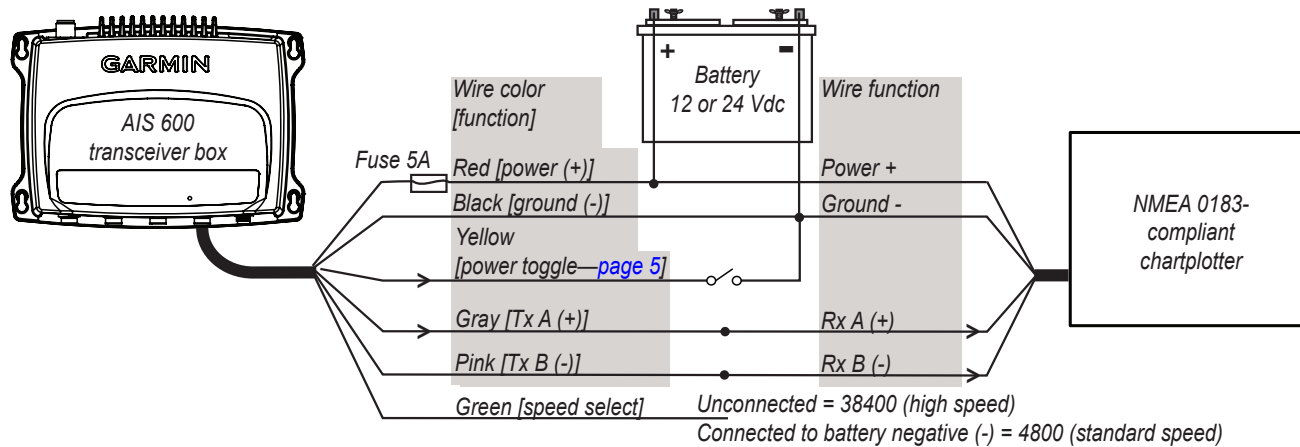
You can connect the AIS 600 to a NMEA 2000-compliant chartplotter using your existing NMEA 2000 network, or you can build a basic NMEA 2000 network if you do not have one on your boat. For more information on NMEA 2000, and to purchase required cables and connectors, go to www.garmin.com.

The AIS 600 wiring layout diagram on [page 3](#) contains an example of the AIS 600 connected to Garmin chartplotter through a NMEA 2000 network.

NOTE: If you are unfamiliar with NMEA 2000, see the “NMEA 2000 Network Fundamentals” chapter of the *Technical Reference for Garmin NMEA 2000 Products* for more information. Go to www.garmin.com/garmin/cms/us/onthewater/nmea2000, and click on the “Manuals” hyperlink.

Connecting the AIS 600 Series to a NMEA 0183 Device (Optional)

You can connect the AIS 600 to a NMEA 0183-compliant chartplotter using the bare wires on the AIS 600 power/data cable. Connect NMEA 0183 bare wires to a Garmin chartplotter as indicated in the wiring layout diagram on [page 4](#). Consult the diagram below to connect the AIS 600 to a non-Garmin chartplotter. Use 22 AWG wire for extended runs of wire, if needed.



Connecting the AIS 600 to a Non-Garmin NMEA 0183 Device

Notes:

- Consult the installation instructions for your NMEA 0183-compliant device to identify the receiving (Rx) A(+) and B(-) wires.
- If your NMEA 0183-compliant device has only one receiving wire (Rx), connect it to the gray wire [Tx A (+)] from the AIS 600, and leave the pink wire [Tx B (-)] wire unconnected.
- The AIS 600 can transmit NMEA 0183 data using either 38400 baud (default) or 4800 baud. Connect the green wire from the AIS 600 power/data cable to the negative (-) battery terminal if you would like to limit the output speed to 4800 baud. You can install a switch between the green wire and the negative (-) battery terminal in order to toggle the output speed manually.

Wiring the AIS 600 to a Physical Switch to Send a Safety-Related Message (SRM) or Enter Silent Mode (Optional)

Wiring the AIS 600 to a Silent-Mode Switch

When in silent mode, you will only receive AIS signals; your position will not be transmitted.

Use the bare wires from the included SRM cable to install a silent-mode switch. Connect the yellow wire from the SRM cable to one terminal of a single-pole, single-throw switch (not included), and connect the green wire from the SRM cable to the other terminal. After the switch is installed, when you close the switch, the AIS 600 enters silent mode.

Wiring the AIS 600 to an SRM Switch

Use the bare wires from the included SRM cable to install an SRM switch. Connect the white wire from the SRM cable to one terminal of a single-pole, single-throw switch (not included), and connect the black wire from the SRM cable to the other terminal. After the switch is installed, closing the switch broadcasts a pan-pan urgency SRM. While the switch is closed, the AIS 600 will send the urgency message at a rate of one message per minute.

Using the AIS 600

If you connected the AIS 600 device to a chartplotter using either NMEA 2000 or NMEA 0183, refer to the Owner's Manual provided with your chartplotter for information on using the AIS-specific features of the chartplotter.

If you did not connect the AIS 600 device to a chartplotter (to only broadcast position information), ensure that you wired a power toggle switch using the yellow wire on the AIS 600 power/data cable (see [page 5](#)). When you want to turn on the AIS 600 and broadcast your position information, close the switch. When you want to turn off the AIS 600, open the switch.

NOTE: If you have other devices on your boat with the ability to receive AIS information, they will detect the AIS 600 and see it as a collision hazard because it is installed on the same boat. You may need to disable other AIS receivers to avoid this situation.

Appendix

AIS 600 Specifications

Dimensions: W × H × D: 9 3/4 × 7 3/32 × 2 1/2 in. (248 × 180 × 64 mm)

Weight: 4.177 lb. (1.895 kg)

Temperature Range: from -4°F to 140°F
(from -20°C to 60°C)

Compass-safe Distance: 15 3/4 in. (40 cm)

Waterproof Rating: IEC 60529 IPX7 (Immersion in 1 meter of standing water for 30 minutes)

Power

Source: 9.6–31.2 Vdc
(12 Vdc or 24 Vdc boat battery)

Usage: 20 W max

Fuse: 5 A fast-acting

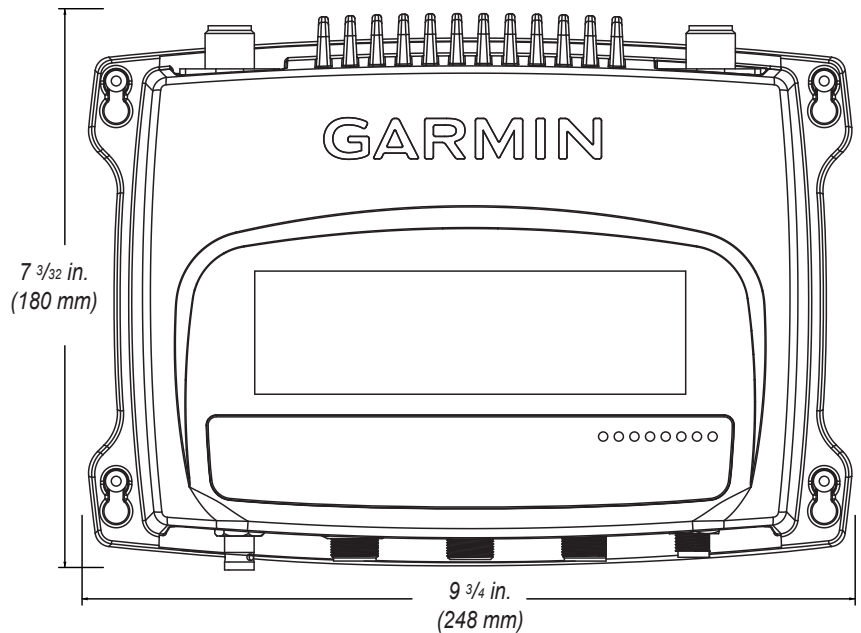
NMEA 2000 Power Usage: LEN=2

Antenna

Antenna Connector: S0-239 (50 Ω)

Max Antenna Gain: 9 dBi

Antenna Port Impedance: 50 Ω



NMEA 2000 PGN Information

Receive		Transmit	
059392	ISO Acknowledgment	059392	ISO Acknowledgment
059904	ISO Request	060928	ISO Address Claim
060928	ISO Address Claim	126208	NMEA Request/Command/Acknowledge Group Function
126208	NMEA - Command/Request/Acknowledge Group Function	126464	PGN List
126992	System Time	126996	Product Information
		129038	AIS Class A Position Report
		129039	AIS Class B Position Report
		129040	AIS Class B Extended Position Report
		129794	AIS Class A Static and Voyage Related Data
		129798	AIS SAR Aircraft Position Report
		129802	AIS Safety Related Broadcast Message
		129809	AIS Class B "CS" Static Data Report, Part A
		129810	AIS Class B "CS" Static Data Report, Part B



The Garmin AIS 600 is NMEA 2000 certified.

NMEA 0183 Communication Information

When connected to a NMEA 0183 device, the AIS 600 transmits the following sentences: RMC, VDM, and VDO.

GA 30 Specifications

Dimensions: 3 19/32 in. (91.6 mm) Diameter × 1 15/16 in. (49.5 mm) Height

Weight: 7.1 oz. (201 g)

Case Material: Fully gasketed, high-impact plastic alloy, waterproof to IEC 529 IPX7 standards

Operating Range: From -40°F to 176°F (from -40°C to 80°C)

Cable: Foil-shielded, center conductor 18 AWG

Connector: Antenna—Proprietary twist-lock connector

GPS unit—BNC

Dynamics: 999 knots, 40g

Interpreting the LEDs on the AIS 600

A series of LEDs on the AIS 600 transceiver box indicates the device status, device activity, and device errors.

LED Label	Interpretation
All OK	Solid when the device is ready to transmit and receive.
RX	Flashes when the device receives an AIS message.
TX	Flashes when the device sends an AIS message.
RX Only	Solid when the device is in silent mode or when the device is not ready to transmit. NOTE: The AIS 600 will not transmit without a GPS signal, without an MMSI number, when an AIS base station commands a quiet time, or when the AIS 600 encounters a critical error.
Warning	Flashes when there is a warning condition. Connect the AIS 600 device to a PC and use the AIS 600 Setup Software to view detailed information about the warning condition. See page 2 for information on using the AIS 600 Setup Software.
SRM	Flashes when the device transmits an SRM.
Error	The device is not able to transmit due to a critical error. Connect the AIS 600 device to a PC and use the AIS 600 Setup Software to view detailed information about the warning condition. See page 2 for information on using the AIS 600 Setup Software.
VHF TX	Solid when a connected VHF radio is transmitting.

Troubleshooting Warnings and Errors using the AIS 600 Setup Software

If the warning LED or the error LED is steadily lit on the AIS 600, use the AIS 600 Setup Software to view details about the warning or error condition. Follow the steps above to begin communication with the AIS 600, and click on the Diagnostics tab in the AIS 600 Setup Software to view detailed warning or error information.

Product Registration

Help us better support you by completing our online registration today. Go to <http://my.garmin.com>. Keep the original sales receipt, or a photocopy, in a safe place.

Contact Garmin

Contact Garmin Product Support if you have any questions while using the AIS 600. In the USA, go to www.garmin.com/support, or contact Garmin USA by phone at (913) 397.8200 or (800) 800.1020.

In the UK, contact Garmin (Europe) Ltd. by phone at 0808 2380000.

In Europe, go to www.garmin.com/support and click **Contact Support** for in-country support information, or contact Garmin (Europe) Ltd. by phone at +44 (0) 870.8501241.

Important Product Information

This equipment is for use worldwide, including the following European countries:

AT	DK	DE	IT	MT	SK	GB	CH	CY	FI	HU	LT	PL	ES	LI	RO
BE	EE	GR	LV	NL	SI	IS	BG	CZ	FR	IE	LU	PT	SE	NO	TR

Industry Canada Compliance

This device complies with Industry Canada Standard RSS-182 and ICES-003.

FCC Compliance

This device complies with part 15 of the FCC Rules. Operation is subject to the following two conditions: (1) this device may not cause harmful interference, and (2) this device must accept any interference received, including interference that may cause undesired operation.

This equipment has been tested and found to comply with the limits for a Class B digital device, pursuant to part 15 of the FCC rules. These limits are designed to provide reasonable protection against harmful interference in a residential installation. This equipment generates, uses, and can radiate radio frequency energy and may cause harmful interference to radio communications if not installed and used in accordance with the instructions. However, there is no guarantee that interference will not occur in a particular installation. If this equipment does cause harmful interference to radio or television reception, which can be determined by turning the equipment off and on, the user is encouraged to try to correct the interference by one of the following measures:

- Reorient or relocate the receiving antenna.
- Increase the separation between the equipment and the receiver.
- Connect the equipment into an outlet that is on a different circuit from the GPS unit.
- Consult the dealer or an experienced radio/TV technician for help.

This product does not contain any user-serviceable parts. Repairs should only be made by an authorized Garmin service center. Unauthorized repairs or modifications could result in permanent damage to the equipment, and void your warranty and your authority to operate this device under Part 15 regulations.

Wireless Device Country Approvals for the AIS 600

Regulatory markings have been applied to the device signifying that this device has been approved for use in Europe, Australia, and New Zealand.

Declaration of Conformity (DoC)

Hereby, Garmin, declares that this product is in compliance with the essential requirements and other relevant provisions of Directive 1999/5/EC. To view the full Declaration of Conformity, go to www.garmin.com/compliance.

CE Notification

CE Notified Body number (0700) valid for the AIS 600 only.

CE 0700 

Limited Warranty

This Garmin product is warranted to be free from defects in materials or workmanship for one year from the date of purchase. Within this period, Garmin will, at its sole option, repair or replace any components that fail in normal use. Such repairs or replacement will be made at no charge to the customer for parts or labor, provided that the customer shall be responsible for any transportation cost. This warranty does not apply to: (i) cosmetic damage, such as scratches, nicks and dents; (ii) consumable parts, such as batteries, unless product damage has occurred due to a defect in materials or workmanship; (iii) damage caused by accident, abuse, misuse, water, flood, fire, or other acts of nature or external causes; (iv) damage caused by service performed by anyone who is not an authorized service provider of Garmin; or (v) damage to a product that has been modified or altered without the written permission of Garmin. In addition, Garmin reserves the right to refuse warranty claims against products or services that are obtained and/or used in contravention of the laws of any country.

This product is intended to be used only as a travel aid and must not be used for any purpose requiring precise measurement of direction, distance, location or topography. Garmin makes no warranty as to the accuracy or completeness of map data in this product.

THE WARRANTIES AND REMEDIES CONTAINED HEREIN ARE EXCLUSIVE AND IN LIEU OF ALL OTHER WARRANTIES EXPRESS, IMPLIED, OR STATUTORY, INCLUDING ANY LIABILITY ARISING UNDER ANY WARRANTY OF MERCHANTABILITY OR FITNESS FOR A PARTICULAR PURPOSE, STATUTORY OR OTHERWISE. THIS WARRANTY GIVES YOU SPECIFIC LEGAL RIGHTS, WHICH MAY VARY FROM STATE TO STATE.

IN NO EVENT SHALL GARMIN BE LIABLE FOR ANY INCIDENTAL, SPECIAL, INDIRECT OR CONSEQUENTIAL DAMAGES, INCLUDING, WITHOUT LIMITATION, DAMAGES FOR ANY TRAFFIC FINES OR CITATIONS, WHETHER RESULTING FROM THE USE, MISUSE OR INABILITY TO USE THE PRODUCT OR FROM DEFECTS IN THE PRODUCT. SOME STATES DO NOT ALLOW THE EXCLUSION OF INCIDENTAL OR CONSEQUENTIAL DAMAGES, SO THE ABOVE LIMITATIONS MAY NOT APPLY TO YOU.

Garmin retains the exclusive right to repair or replace (with a new or newly-overhauled replacement product) the device or software or offer a full refund of the purchase price at its sole discretion. SUCH REMEDY SHALL BE YOUR SOLE AND EXCLUSIVE REMEDY FOR ANY BREACH OF WARRANTY.

To obtain warranty service, contact your local Garmin authorized dealer or call Garmin Product Support for shipping instructions and an RMA tracking number. Securely pack the device and a copy of the original sales receipt, which is required as the proof of purchase for warranty repairs. Write the tracking number clearly on the outside of the package. Send the device, freight charges prepaid, to any Garmin warranty service station.

Online Auction Purchases: Products purchased through online auctions are not eligible for warranty coverage. Online auction confirmations are not accepted for warranty verification. To obtain warranty service, an original or copy of the sales receipt from the original retailer is required. Garmin will not replace missing components from any package purchased through an online auction.

International Purchases: A separate warranty may be provided by international distributors for devices purchased outside the United States depending on the country. If applicable, this warranty is provided by the local in-country distributor and this distributor provides local service

for your device. Distributor warranties are only valid in the area of intended distribution. Devices purchased in the United States or Canada must be returned to the Garmin service center in the United Kingdom, the United States, Canada, or Taiwan for service.

Australian Purchases: Our goods come with guarantees that cannot be excluded under the Australian Consumer Law. You are entitled to a replacement or refund for a major failure and for compensation for any other reasonably foreseeable loss or damage. You are also entitled to have the goods repaired or replaced if the goods fail to be of acceptable quality and the failure does not amount to a major failure. The benefits under our Limited Warranty are in addition to other rights and remedies under applicable law in relation to the products.

Garmin Australasia
Unit 19, 167 Prospect Highway
Seven Hills, NSW, Australia, 2147
Phone: 1800 822 235

Garmin's Marine Warranty Policy: Certain Garmin Marine products in certain areas have a longer warranty period and additional terms and conditions. Go to www.garmin.com/support/warranty.html for more details and to see if your product is covered under Garmin's Marine Warranty Policy

Garmin®, the Garmin logo, and GPSMAP® are trademarks of Garmin Ltd. or its subsidiaries, registered in the USA and other countries. These trademarks may not be used without the express permission of Garmin.

Windows® is a registered trademark of Microsoft Corporation in the United States and other countries.

NMEA 2000® and the NMEA 2000 logo are registered trademarks of the National Marine Electronics Association.

**For the latest free software updates (excluding map data) throughout the life of your
Garmin products, visit the Garmin Web site at www.garmin.com.**



© 2009–2012 Garmin Ltd. or its subsidiaries

Garmin International, Inc.
1200 East 151st Street, Olathe, Kansas 66062, USA

Garmin (Europe) Ltd.
Liberty House, Hounslow Business Park, Southampton, Hampshire, SO40 9LR UK

Garmin Corporation
No. 68, Zhangshu 2nd Road, Xizhi Dist., New Taipei City, 221, Taiwan (R.O.C.)

www.garmin.com