



- Designed to use for emergency purpose on liferaft. According to the relative IMO rule, either AIS-SART or traditional RADAR-SART (Search and Rescue Transponder) can be accepted as "SAR LOCATING DEVICE" to be a member of onboard GMDSS family from January 1st, 2010.
- Compared to RADAR-SART, AIS-SART has advantage in some aspects, such as farther-reach transmission and less affect from sea conditions. With more and more vessels to be fitted with AIS, AIS-SART will become more effective and useful in SAR operations.
- Designed to transmit a serial of messages on two AIS channels alternately. With unique and special MMSI pre-configured, alerts from AIS-SART can be easily recognized and read, which is sent both in position report and safety message.
- Adopts low consumption design to ensure the product to continuously operate more than 96 hours.
- Conforms to the latest rules including IMO MSC.246 (83) and IEC 61097-14.
- Type approval with DNV-GL (MED) , CCS, RS and VR.



SPECIFICATIONS

● TECHNICAL SPECIFICATIONS

TX Channel: AIS 1 (CH2087) , AIS 2 (CH2088)
 FREQ Tolerance: $\leq 0.5\text{kHz}$
 Communication Range: $\geq 5\text{ nm}$
 Operating Hours: $\geq 96\text{ hours}$
 GPS Fixing Time: $\leq 1\text{ minute}$

● BATTERY REQUIREMENTS (NBT100)

Battery Voltage: DC 7.2V
 Storage Temp: $-30^{\circ}\text{C} \sim +70^{\circ}\text{C}$
 Storage Time: max 5 years on board
 (plus one year of shelf time)

● WORKING ENVIRONMENTS

Operation Temp: $-20^{\circ}\text{C} \sim +55^{\circ}\text{C}$
 Floating Type: Floatable
 IP Grade: IP67

● DIMENSION & WEIGHT

Dimension: 95 (D) \times 377 (L) mm
 Weight: 900g

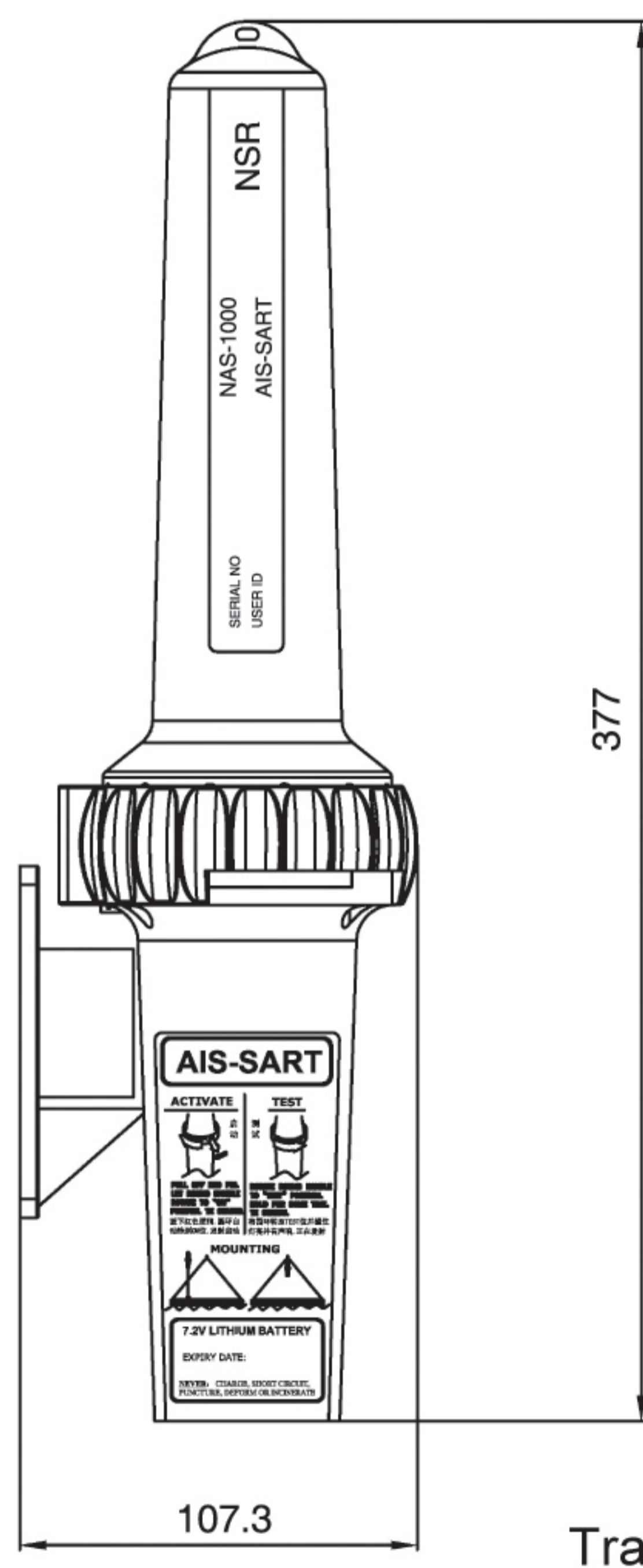
EQUIPMENT LIST

● STANDARD

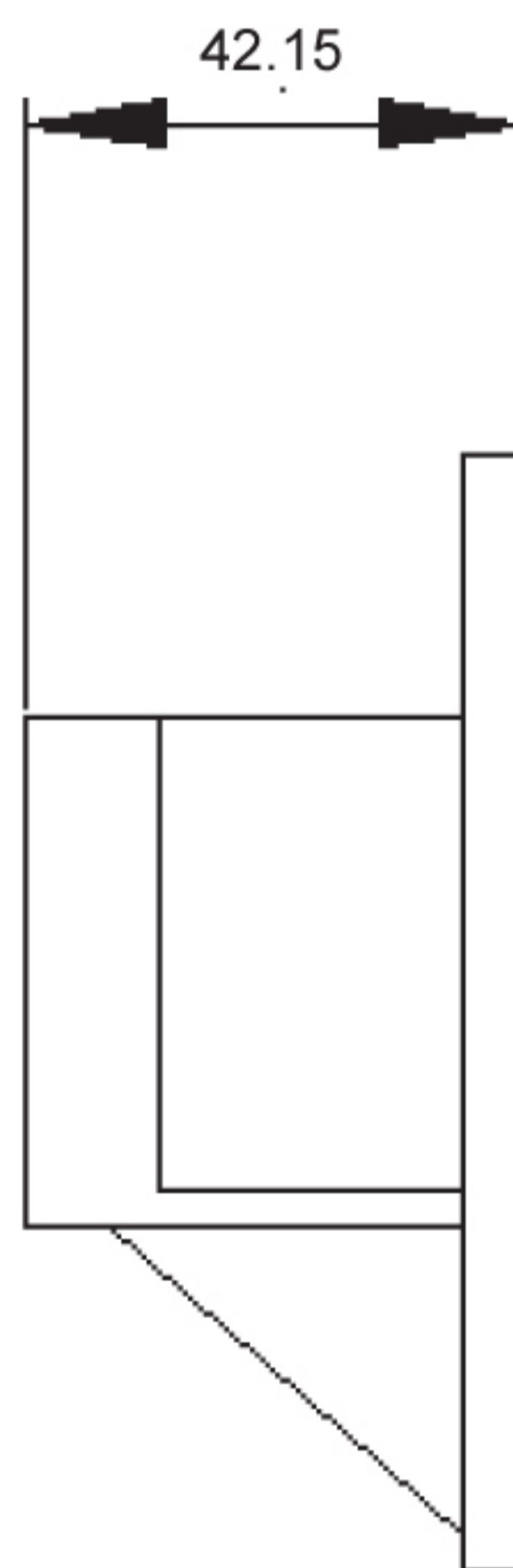
- Transmitter (NAS-1000) 1 pc
- Installation Bracket 1 pc
- Tele-Pole (1.5m) 1 pc
- Accessories 1 set



SIZE DIMENSION



Transmitter



Mount bracket

