

v60Ka2

65CM NEW MARITIME VSAT Antenna System



FEATURES

COMPACT AND LIGHTWEIGHT

The v60Ka2 is a 60 cm compact and lightweight Ka-Band VSAT antenna. The light weight of the antenna system (86 lbs/39 kg) provides an easy and convenient way to reduce installation time and cost. Despite being the smallest and lightest in Intellian VSAT, the v60Ka2 is a top-notch performer even in the harshest sea conditions.

EMBEDDED DUAL ANTENNA MEDIATOR

Intellian's new ACU fully supports dual antenna operation without additional complexity and components such as a separate mediator and RF splitters. To enable Dual Antenna operations, only three cables (two RF and one Ethernet) need to be connected between the two antennas. Streamlined configuration of the dual antenna operation is done via AptusNX.

SINGLE COAXIAL CABLE

The v60Ka2 combines RF, M&C, and DC power into a single coaxial cable. The single coaxial cable carries the Tx, Rx, DC power, and M&C and reference signals between the antenna and the ACU.

APTUSNX

AptusNX, Intellian's all new integrated M&C platform, provides a responsive user interface to manage antenna systems. It also has an intelligent diagnosis function for accurate and enhanced antenna monitoring, and provides detailed reports and measurement for convenient maintenance.

v60Ka 2 65cm New Maritime VSAT Antenna System

TECHNICAL SPECIFICATIONS

ABOVE DECK UNIT

| | |
|------------------------|--|
| Radome Height | 92.5cm / 36.4" |
| Radome Diameter | 86cm / 33.85" |
| Reflector Diameter | 65cm / 25.59" |
| Weight | 39kg / 86lbs |
| Azmuth Range | Unlimited |
| Elevation Range | -20° to 115° |
| Cross-level Range | ±37° |
| Stabilization Accuracy | 0.2° peak miss-pointing @max ship motion condition |
| Tx Frequency | 29.0 ~ 30.0 GHz Ka band |
| Tx Gain | 44.2 dBi @ 29.5 GHz (without radome) |
| Rx Frequency | 19.2 ~ 20.2 GHz Ka band |
| Rx Gain | 40.5 dBi @ 19.7 GHz (without radome) |
| G/T | >16.2 dB/K @ 19.7 GHz (w/ radome) |
| BUC Power | 5W |
| Sidelobe | Meet FCC25.218 |
| Polarization | Circular (Rx : LHCP, Tx : RHCP) |
| Antenna Cable | Single 50 ohm Coax Cable |

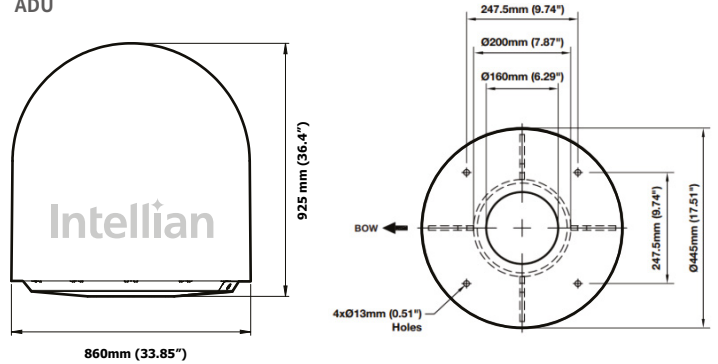
ANTENNA CONTROL UNIT

| | |
|-----------------------|--|
| Dimensions (WxDxH) | 43.1 cm x 35.0 cm x 4.4 cm / 17" x 13.8" x 1.7" |
| Weight | 5.2kg / 11.5lbs |
| Display | OLED Display |
| Gyrocompass Interface | NMEA 2000, NMEA0183 |
| Mediator Interface | Yes |
| Modem Protocol | iDirect, Comtech, SatLink, Hughes, GILAT, Newtec |
| Wi-Fi Operation | Yes (w/ Wi-Fi dongle) |
| Management Port | Yes |
| Intellian Lan Port | Yes |
| Power Requirement | 100~240 VAC, 50~60Hz, 4A |

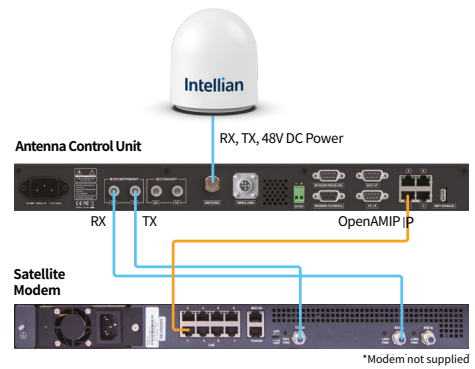
Global HQ

SYSTEM DIMENSION

ADU



SYSTEM DIAGRAM



SYSTEM DIAGRAM (DUAL ANTENNA)

