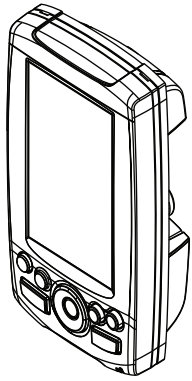
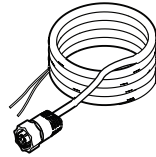


Supplied parts

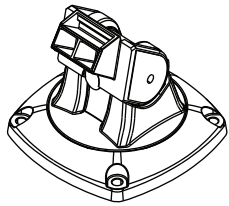
Common kit parts



HOOK-4/4x

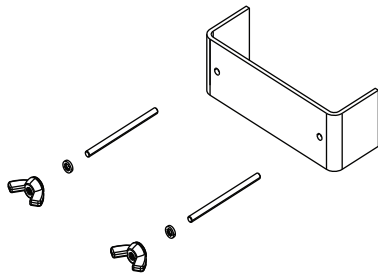


Power cable



Quick release bracket

Optional flush mount kit sold separately
(000-11308-001)



For technical specifications,
refer to the Operator manual
or to product website on:



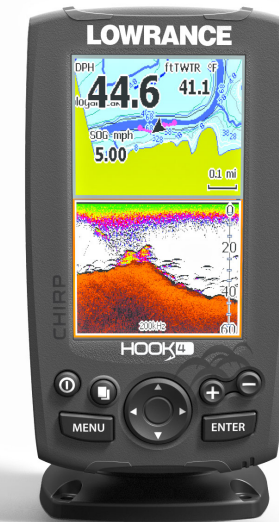
lowrance.com



LOWRANCE

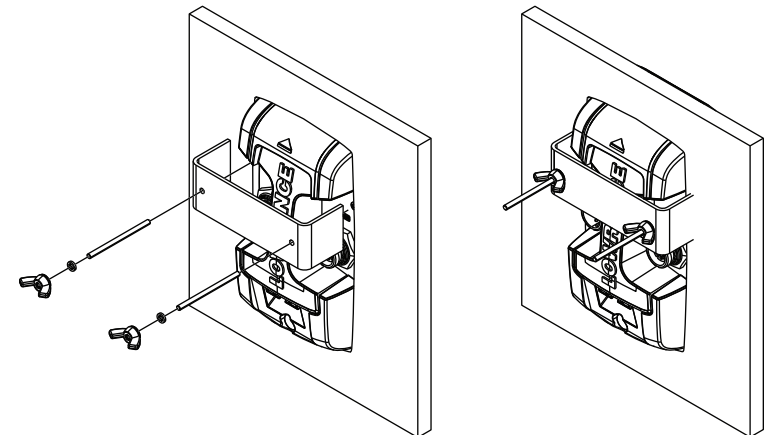
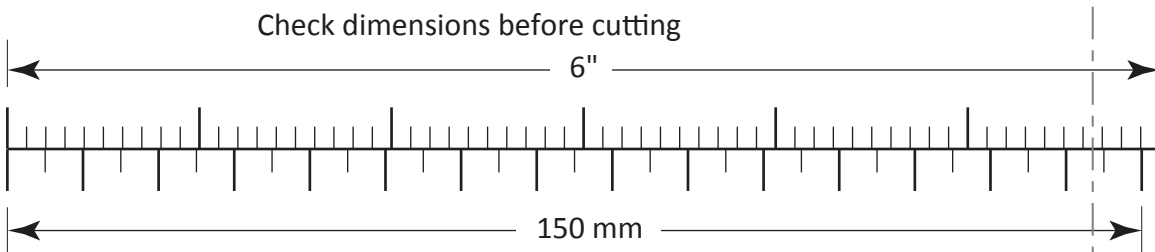
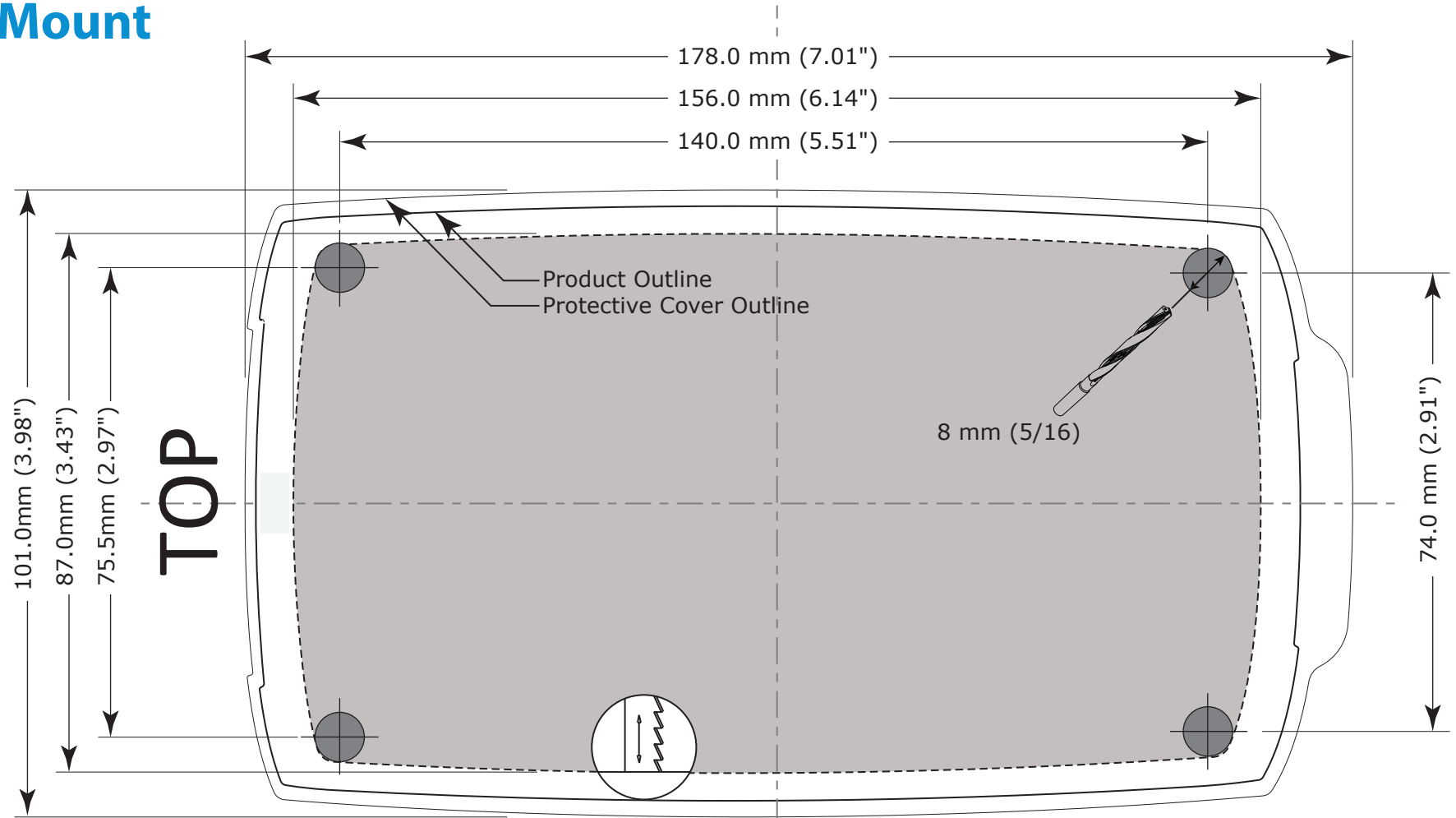
HOOK-4/4x

Installation Guide



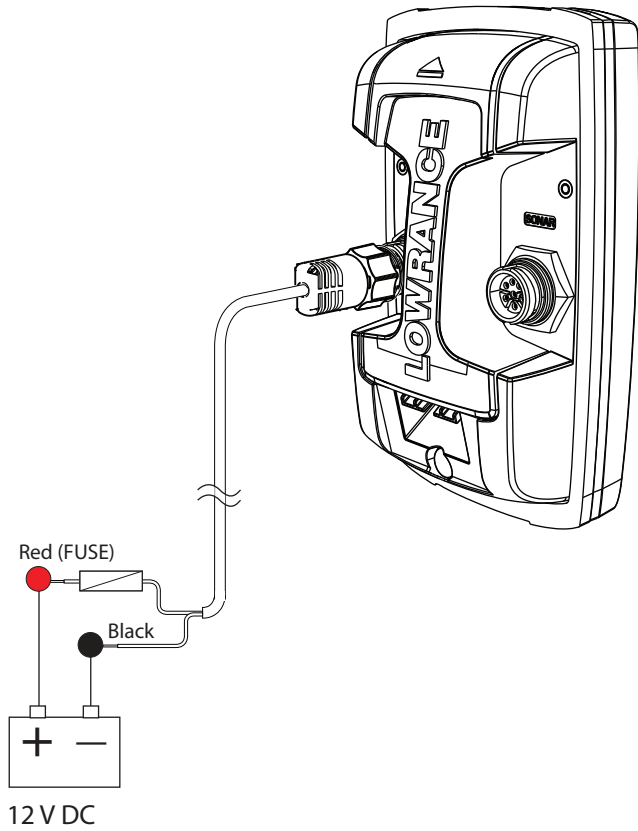
lowrance.com

Flush Mount

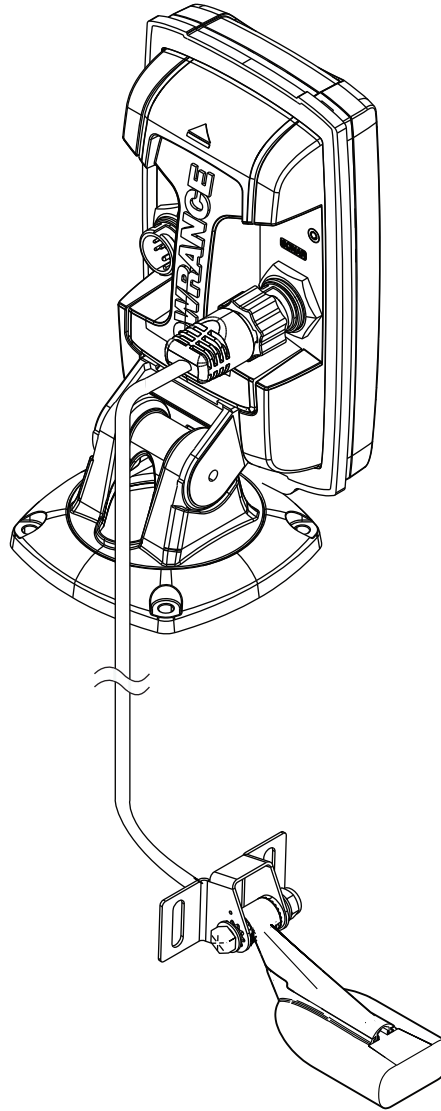


Wiring

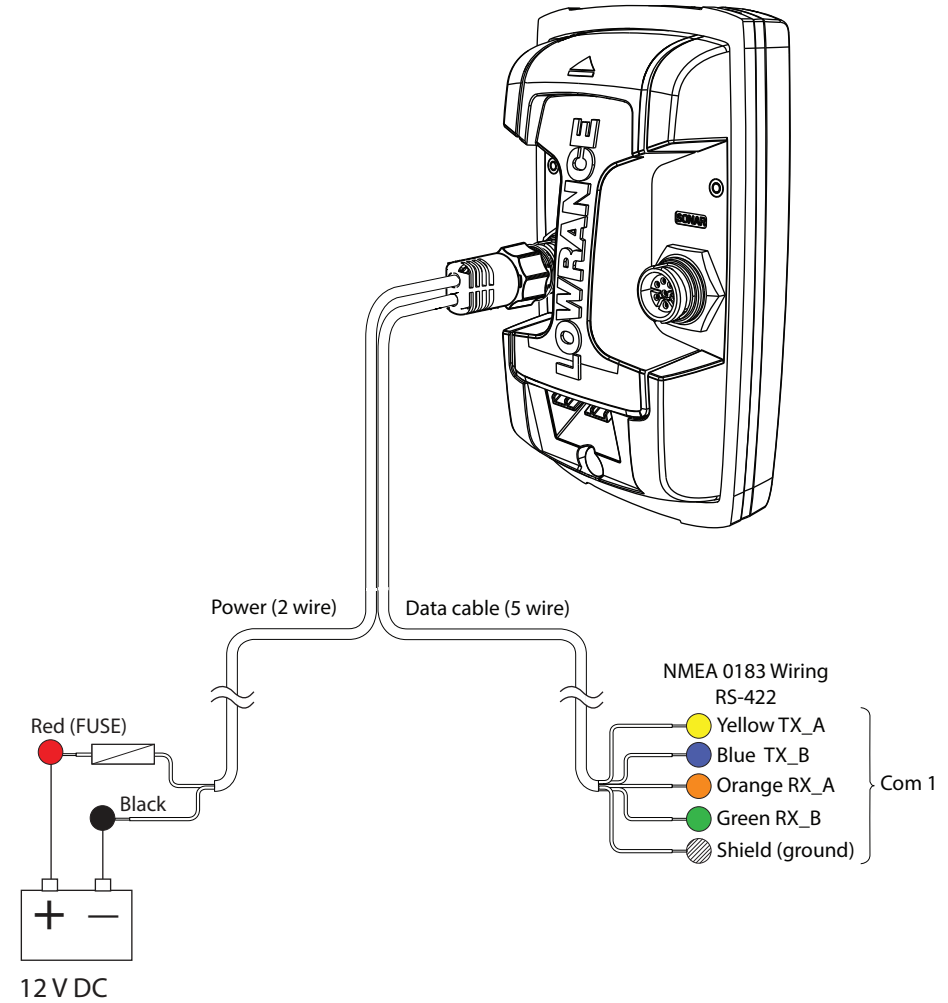
Power



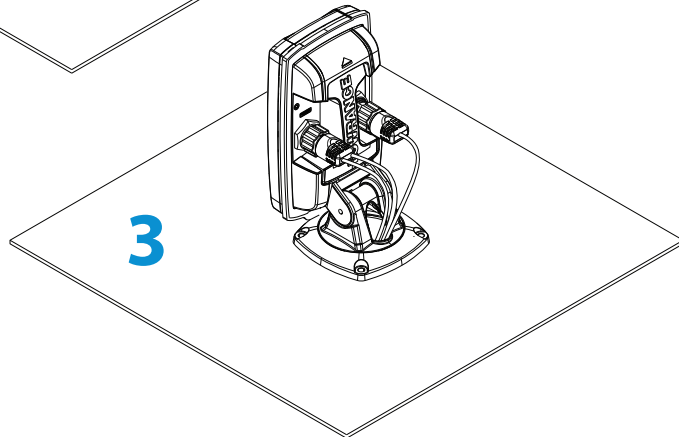
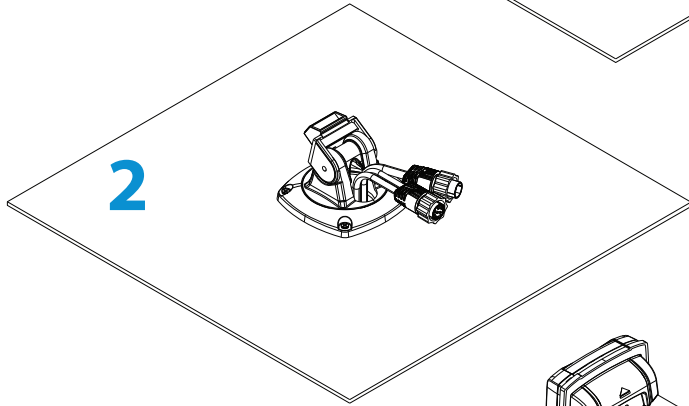
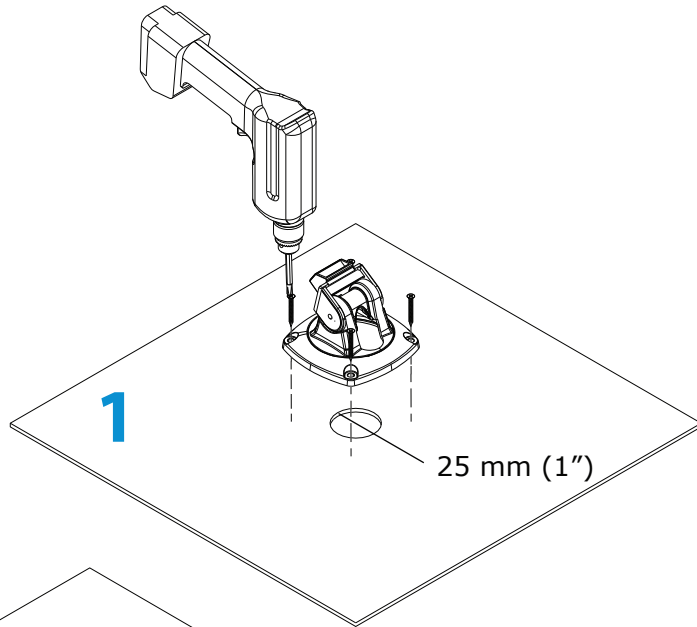
Transducer



Optional Power/NMEA 0183 cable (HOOK-4 only, pn: 000-0127-49)



Bracket Mount



Dimensions

